



Image is for illustrative purposes only. Actual product may vary.

## Nominal data

<b>Model</b>	<b>BL-B190A-2E-A03-01 (3-speed)</b>		
<b>Motor model</b>	<b>MA2E-9217A-A06-01</b>		

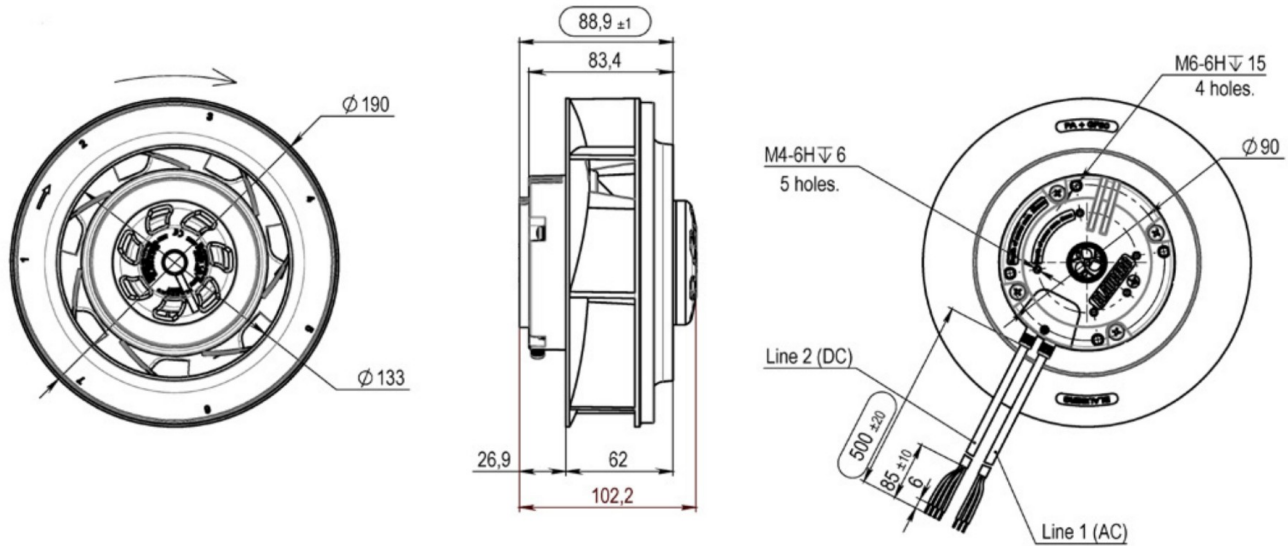
<b>Phase</b>		1~
<b>Nominal Voltage</b>	VAC	230
<b>Frequency</b>	Hz	50
<b>Capacitor</b>	μF/VDB	3/450

		MIN	MED	MAX
<b>Speed</b>	min-1	2000	2400	2600
<b>Power consumption</b>	W	51	55	78
<b>Current draw</b>	A	0.3	0.3	0.3
<b>Min. ambient temperature</b>	°C	-25	-25	-25
<b>Max. ambient temperature</b>	°C	+50	+50	+50

Power and current values represent maximum ratings; speed values are specified at maximum efficiency point.

## Technical Data

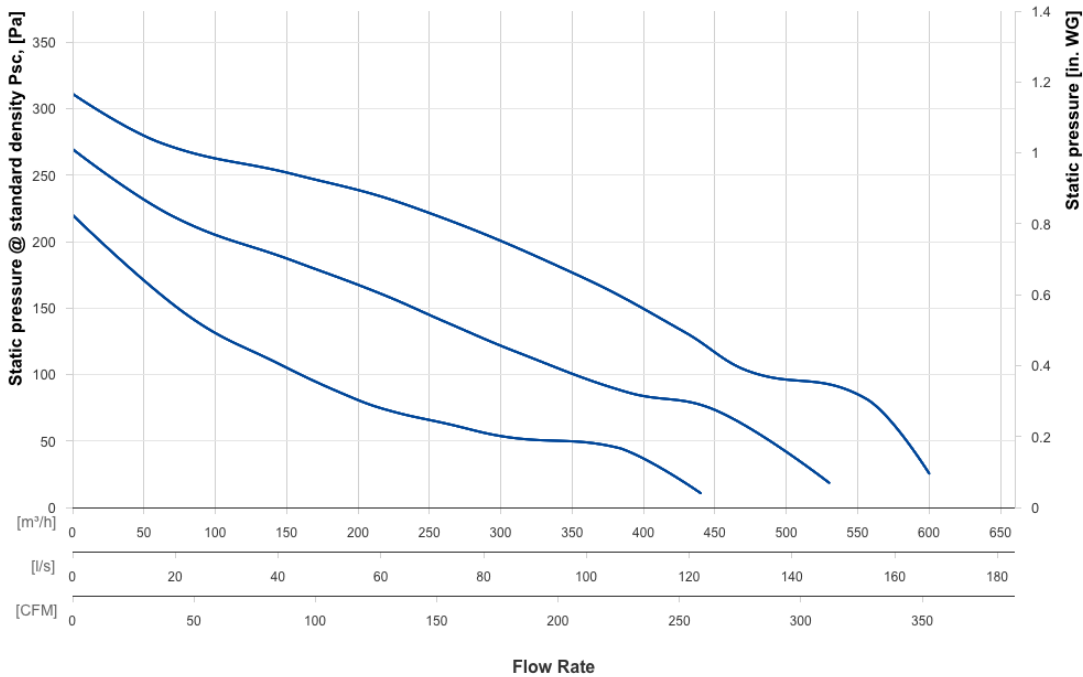
<b>Weight</b>	1.3 kg
<b>Impeller size</b>	190 mm
<b>Impeller material</b>	PA plastic + 30% glass fiber
<b>Number of blades</b>	7
<b>Direction of rotation</b>	Clockwise, seen on rotor
<b>Motor size</b>	92
<b>Bearing type</b>	Ball bearings
<b>Insulation class</b>	B
<b>Degree of protection</b>	IP44
<b>Motor protection</b>	Self-resetting TOP wired internally
<b>Operation mode</b>	Continuous duty (S1)
<b>Installation position</b>	Any
<b>Min. permitted ambient temp. for motor (transport/storage)</b>	-40 °C
<b>Max. permitted ambient temp. for motor (transport/storage)</b>	+80 °C
<b>Cable length</b>	350±20 mm
<b>Conformity with standards</b>	- Safety standards: EN 60335-1 - Material compliance: RoHS, REACH - Quality certification: ISO 9001
<b>Warranty period</b>	2 years / 40 000 motor hours

**Product drawing**

**Connection diagram**

Connections	Designation	Color	Function / assignment
	PE	Green/Yellow	Protective Earth
	L	Black	Phase
	C	White	Capacitor (first output)
		Red	Capacitor (second output)
	N	Blue	High speed (connection to N)
		Gray	Medium speed (connection to N)
		Brown	Low speed (connection to N)

CAUTION: incorrect connection may lead to product malfunction or permanent damage.

## Curves: Air performance 50 Hz



Measuring device: ANSI/AMCA 210-07  
ANSI/ASHRAE 51-07 (Fig. 7B for Inlet setup, Fig. 16 for Outlet setup\*).  
Installation category: A (Free inlet, Free outlet).

Speed	U, V	P, W	I, A	n, min <sup>-1</sup>	Psc, Pa	Psc, in.WG	Q, L/s	Q, m³/h	Q, CFM	W/(l/s)
max	230	74,3	0,33	2568	25,6	0,10	166,7	600,0	352,8	0,45
max	230	75,0	0,33	2556	81,8	0,33	154,4	556,0	326,9	0,49
max	230	75,8	0,33	2544	102,8	0,41	131,4	473,0	278,1	0,58
max	230	76,9	0,34	2508	131,8	0,53	119,2	429,0	252,3	0,65
med	230	51,9	0,27	2220	18,6	0,08	147,2	530,0	311,6	0,35
med	230	52,9	0,27	2208	72,4	0,29	125,6	452,0	265,8	0,42
med	230	53,7	0,27	2172	86,9	0,35	107,8	388,0	228,1	0,50
med	230	55,2	0,28	2112	117,0	0,47	86,4	311,0	182,9	0,64
min	230	48,0	0,25	1800	10,8	0,04	122,2	440,0	258,7	0,39
min	230	49,0	0,25	1764	44,4	0,18	106,7	384,0	225,8	0,46
min	230	49,6	0,26	1716	52,9	0,21	84,7	305,0	179,3	0,59
min	230	50,7	0,26	1644	63,3	0,25	72,5	261,0	153,5	0,70