



Image is for illustrative purposes only. Actual product may vary.

Nominal data

Model	BL-B190B-EC-03	
Motor model	MEC3E-72-170-01	

Phase		1~
Nominal Voltage	VAC	230
Nominal voltage range	VAC	
Frequency	Hz	50/60

Speed	RPM	4110
Power consumption	W	167
Current draw	A	1.4
Min. ambient temperature	°C	-25
Max. ambient temperature	°C	+60

Power and current values represent maximum ratings; speed values are specified at maximum efficiency point.

Data according to Commission Regulation (EU) 2024/1834

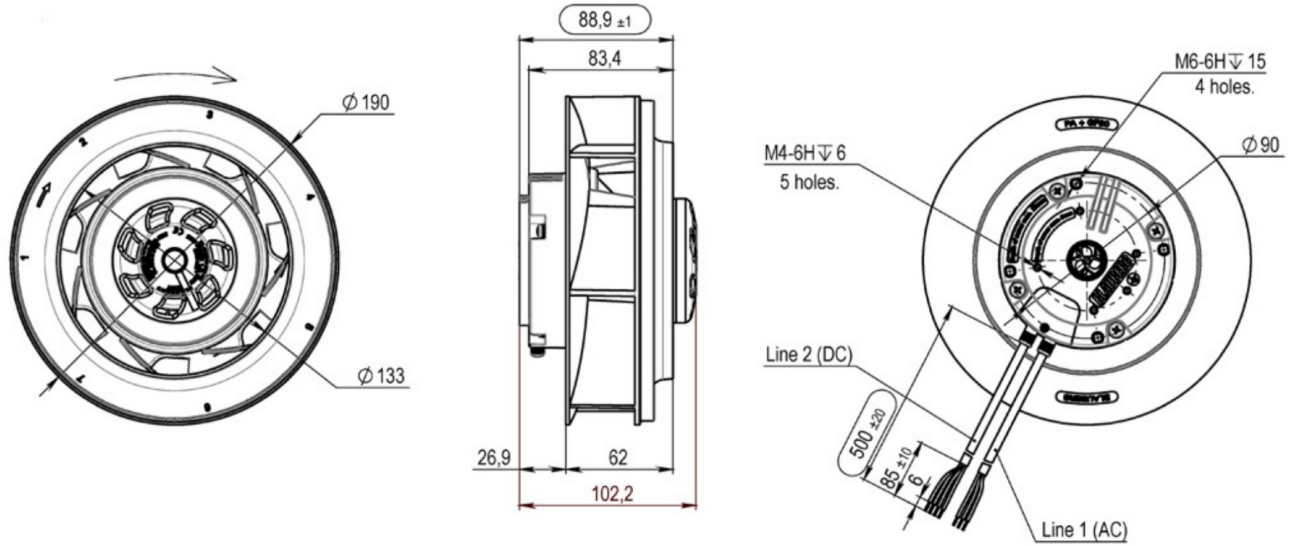
General parameters		
Measurement category		A
Overall efficiency, η_s	%	44.2
Minimum efficiency, η_n	%	48.3

Working point		
Power	W	167.1
Flow rate	m ³ /h	544.7
Pressure (Ps)	Pa	461

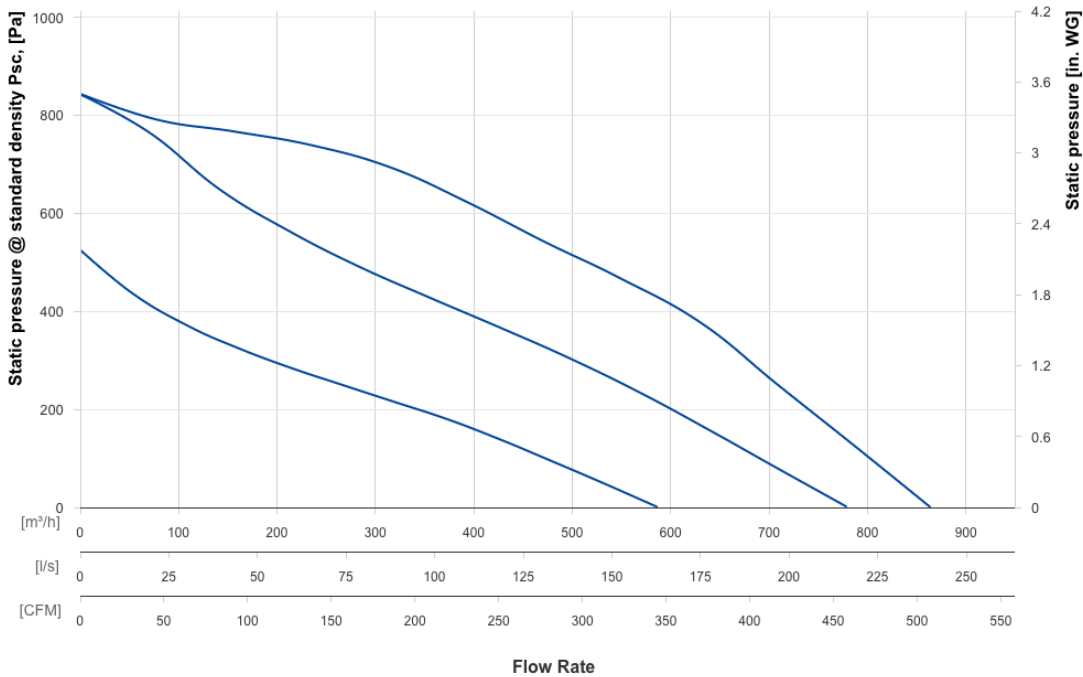
Technical Data

Weight	1.65 kg
Impeller size	190 mm
Impeller material	PA plastic + 30% glass fiber
Number of blades	7
Direction of rotation	Clockwise, seen on rotor
Motor size	72
Bearing type	Ball bearings
Insulation class	B
Degree of protection	IP55
Motor protection	Self-resetting TOP wired internally
Operation mode	Continuous duty (S1)
Installation position	Any
Min. permitted ambient temp. for motor (transport/storage)	-40 °C
Max. permitted ambient temp. for motor (transport/storage)	+80 °C
Cable length	500 ±20 mm
Technical features	<ul style="list-style-type: none"> - Control Input 0-10 VDC / PWM - Locked Rotor Protection - Thermal Protection - Excessive Voltage Protection - Less Voltage Protection - Overcurrent Protection - Soft Start - Output 10 VDC, Max. 10 mA
Conformity with standards	<ul style="list-style-type: none"> - Safety standards: EN 60335-1, EN 60335-2-80 - Quality certification: ISO 9001 - Material compliance: RoHS, REACH
Warranty period	2 years / 40 000 motor hours

Product drawing



Curves: Air performance 50 Hz



V	U, V	P, W	I, A	n, min ⁻¹	Psc, Pa	Psc, in. WG	Q, L/s	Q, m³/h	Q, CFM	W/(l/s)	ηt [%]
10V	229	139,1	1,12	4242	1,4	0,01	239,7	863,1	507,5	0,58	12,1
10V	229	147,2	1,19	4230	119,3	0,47	219,6	790,6	464,9	0,67	26,0
10V	229	157,3	1,26	4214	250,6	0,98	196,8	708,5	416,6	0,80	36,4
10V	229	167,4	1,35	4186	376,5	1,48	175,2	630,8	370,9	0,96	42,3
8V	229	104,4	0,86	3846	2,1	0,01	216,1	778,0	457,5	0,48	12,1
8V	229	104,2	0,86	3772	86,4	0,34	195,1	702,5	413,1	0,53	24,4
8V	230	104,2	0,86	3690	153,1	0,60	178,7	643,4	378,3	0,58	32,2
8V	229	104,1	0,86	3586	231,8	0,91	158,6	571,1	335,8	0,66	39,1
6V	230	48,8	0,44	2922	1,5	0,01	162,7	585,6	344,3	0,30	11,0
6V	230	48,6	0,44	2854	49,5	0,19	147,6	531,5	312,5	0,33	22,6
6V	230	48,9	0,44	2854	95,5	0,37	132,7	477,9	281,0	0,37	31,1
6V	230	48,8	0,44	2706	138,1	0,54	118,7	427,3	251,3	0,41	36,9